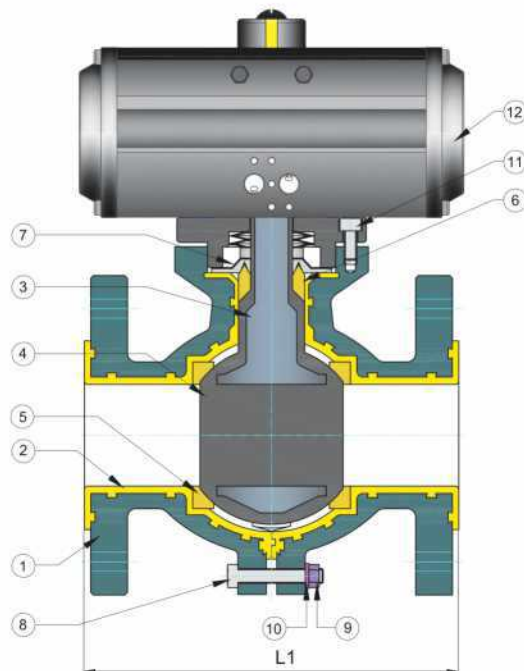


"aira" Offers Pneumatic Actuator Operated Lined Ball Valves offers economical solution for the vast majority of chemical applications while maintaining the highest possible degree of performance in terms of in-line leakage and fugitive emissions. The lower torque of our lined ball valve design permits use of smaller actuators, allowing cost reductions and creating space saving opportunities. The dynamic body joint design retains pressure boundary during thermal cycles.

Size Range : 1/2" to 8" Flanged

| Valve Specification | |
|---------------------|-----------------------|
| Working Pressure | 10 Kg/cm ² |
| Working Temperature | FEP : Upto 180 °C |
| | PFA : Upto 230 °C |
| Valve Rating | 150# |



Dimensions :

| Valve Model | Valve Size | | L1 | Weight Approx. | |
|-------------|------------|-----|-------|----------------|---------|
| | Inch | MM | | S. G. Iron | IC CF8 |
| TBA - 15 | 1/2" | 15 | 140 | ---- | 4.000 |
| TBA - 20 | 3/4" | 20 | 140 | ---- | 4.670 |
| TBA - 25 | 1" | 25 | 130.5 | 7.700 | 7.400 |
| TBA - 40 | 1.1/2" | 40 | 167 | 10.100 | 9.700 |
| TBA - 50 | 2" | 50 | 181 | 14.700 | 12.900 |
| TBA - 65 | 2.1/2" | 65 | 206 | 22.100 | 19.200 |
| TBA - 80 | 3" | 80 | 207 | 30.500 | 30.900 |
| TBA - 100 | 4" | 100 | 226 | 39.500 | 37.500 |
| TBA - 150 | 6" | 150 | 267 | On Req. | On Req. |
| TBA - 200 | 8" | 200 | 465 | On Req. | On Req. |

(All Dimensions are in mm)



Standard

- Design And Manufacturer : ASME B 16.34 / BS EN ISO 17292
- Valve Face To Face Dimension : As Per Manufacturer std.
- Flange Standard Conformity : ASME B 16.5 Class 150 / 300
- Inspection & Testing : BS EN 12266 - 1 / ISO - 5208
- Leakage Class : Class VI ISO - 5208

Accessories

- On / OFF Indicator
- NAMUR Standard Solenoid Valve in all Standard Coil Voltage (Flame Proof Solenoid Coil - On Request)
- Pneumatic & Electro-Pneumatic valve positioner
- Declutchable Manual Over - Ride
- Limit Switches for On / Off Indication at Panel Board
- Filter + Regulator Combination with Pressure Gauge
- Air Lock Valve

| Sr. No. | Description | Material |
|---------|-----------------|---------------------------------------|
| 1 | Body | WCB / CF8 / CF8M / S. G. Iron / D. I. |
| 2 | Body Molding | FEP / PFA |
| 3 | Ball with Shaft | CF8 / CF8M |
| 4 | Ball Molding | FEP / PFA |
| 5 | Ball Seat | PTFE / GFT / CFT / TFM |
| 6 | Shaft Bush | PTFE / GFT / CFT / TFM |
| 7 | Packing Washer | Spring Steel |
| 8 | Bolt | S. S. 304 |
| 9 | Nut | S. S. 304 |
| 10 | Washer | S. S. 304 |
| 11 | L. N. Bolt | S. S. 304 |
| 12 | Actuator | STD. |

Note : Please refer page no 29-30 for Flange Dimensions